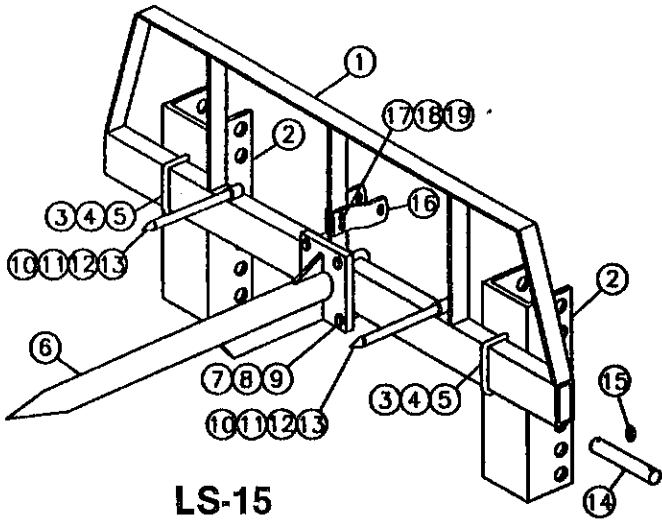
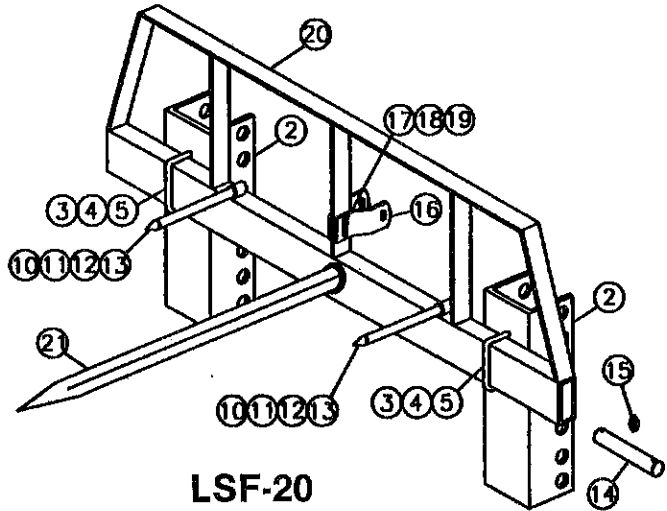


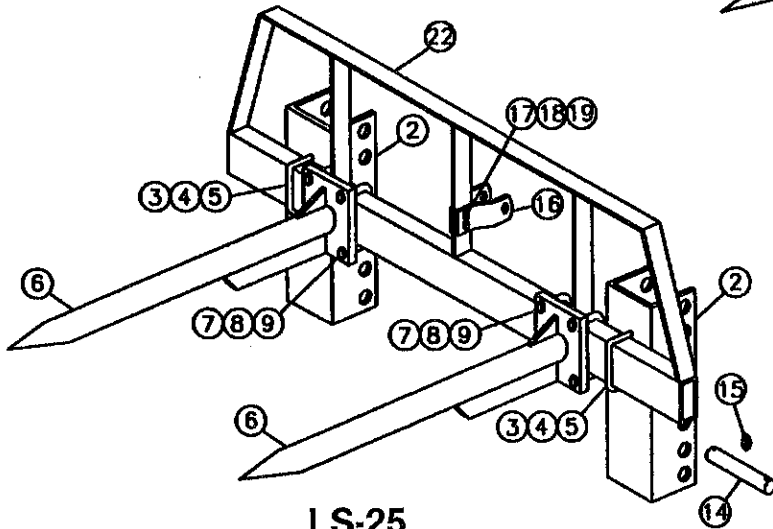
# LS SERIES REPAIR PARTS



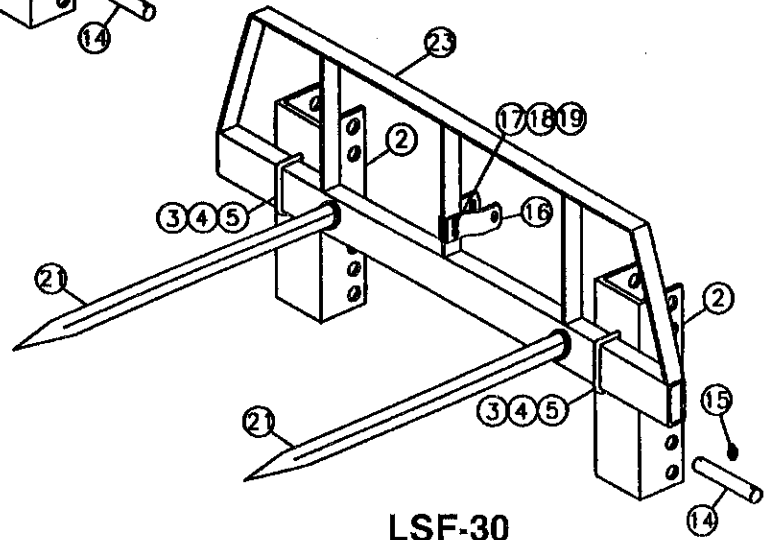
LS-15



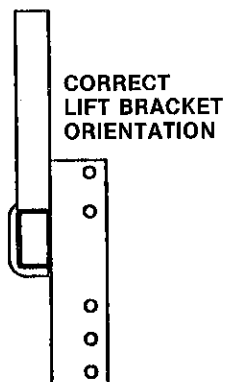
LSF-20



LS-25



LSF-30



# LS SERIES REPAIR PARTS

REF. NO.	PART NO.	DESCRIPTION	NUMBER REQUIRED			
			LS-15	LS-25	LSF-20	LSF-30
1	831251	Main Frame (LS-15)	1	–	–	–
2	831253	Lift Bracket	2	2	2	2
3	803005	U-Bolt, $\frac{3}{4}$ " – 10 NC	2	2	2	2
4	2502001	Washer, $\frac{3}{4}$ " Springlock	4	4	4	4
5	2500002	Nut, $\frac{3}{4}$ " – 10 NC Full Hex	4	4	4	4
6	830208	Spear Weldment	1	2	–	–
7	803219	U-Bolt, $\frac{5}{8}$ " – 11 NC	2	4	–	–
8	2500013	Nut, $\frac{5}{8}$ " – 11 NC Full Hex	4	8	–	–
9	2502007	Washer, $\frac{5}{8}$ " Springlock	4	8	–	–
10	830213	Balance Spike	2	–	2	–
11	2503111	Bolt, $\frac{5}{16}$ " – 18 NC x $1\frac{3}{4}$ " Hex Head	2	–	2	–
12	2502011	Washer, $\frac{5}{16}$ " Springlock	2	–	2	–
13	2500011	Nut, $\frac{5}{16}$ " – 18 NC Full Hex	2	–	2	–
14	830309	Lift Pin	4	4	4	4
15	590034	Linchpin, $\frac{1}{4}$ " (AK-61)	8	8	8	8
16	831254	Toplink Bracket	2	2	2	2
17	2503118	Bolt, $\frac{1}{2}$ " – 13 NC x 2" Hex Hd., Gr. 5	2	2	2	2
18	2500003	Nut, $\frac{1}{2}$ " – 13 NC Full Hex	2	2	2	2
19	2502002	Washer, $\frac{1}{2}$ " Springlock	2	2	2	2
20	831271	Main Frame (LSF-20)	–	–	1	–
21	831273	Hay Tine with Nut (SHW) 49"	–	–	1	2
22	831281	Main Frame (LS-25)	–	1	–	–
23	831261	Main Frame (LSF-30)	–	–	–	1
–	101026	Decal – Caution (Instruction Manual)	1	1	1	1
–	101040	Decal – Notice (1500 Lb. Capacity)	1	–	–	–
–	101043	Decal – Notice (3000 Lb. Capacity)	–	1	–	1
–	101113	Decal – Notice (2200 Lb. Capacity)	–	–	1	–